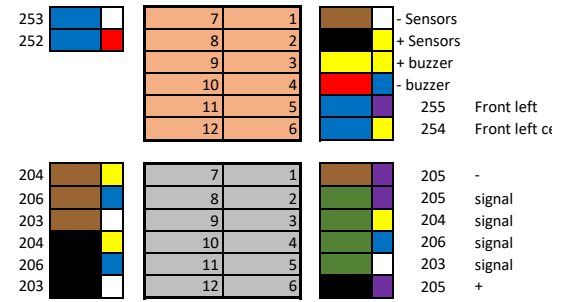
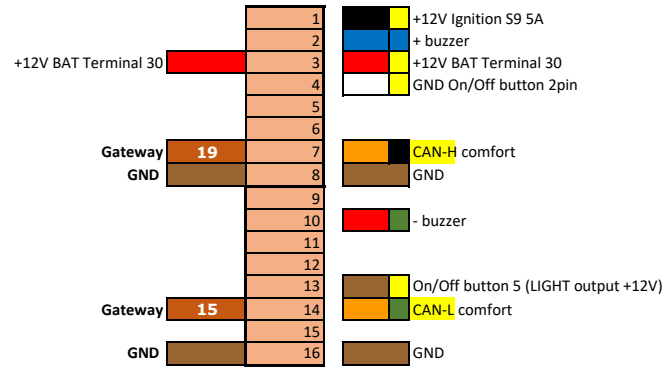
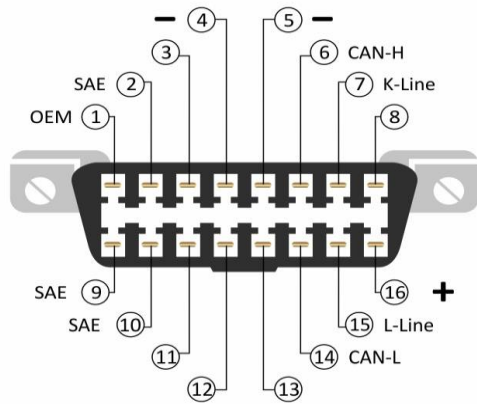




Audid A8 D3
 4E0 919 283 D
 4E0 919 283 C
 Compatibl ✓



Pinout Gateway		
+12V BAT Terminal 30	1	Terminal 30, fuse F24 in EM box -> +12V
+12V BAT Terminal 30	2	As pin 1 -> +12V
	3	Vacant
	4	K-wire (vacant)
	5	Convenience system data bus, CAN-Low
	6	Drive train data bus, CAN-Low
	7	Vacant
	8	Dash panel insert data bus, CAN-Low
OBD2 14	9	Diagnosis CAN-L
	10	Infotainment data bus, CAN-Low
GND	11	Terminal 31 (battery negative) -> GND
GND	12	Terminal 31 (battery negative) -> GND
+12V BAT Terminal 15	13	Wake-up wire, dash panel insert -> PIN 5 DB
	14	Terminal 15 -> +12V
	15	Convenience system data bus, CAN-High
	16	Drive train data bus, CAN-High
	17	Vacant
	18	Dash panel insert data bus, CAN-High
OBD2 6	19	Diagnosis CAN-H
	20	Infotainment data bus, CAN-High



OBD2		
	1	
	2	
	3	
GND	4	Terminal 31 (battery negative) -> GND
GND	5	Terminal 31 (battery negative) -> GND
Gateway 19	6	Diagnosis CAN-H
	7	
	8	
	9	
	10	
	11	
	12	
	13	
Gateway 9	14	Diagnosis CAN-L
	15	
+12V BAT Terminal 30	16	Terminal 30, +12V

enter