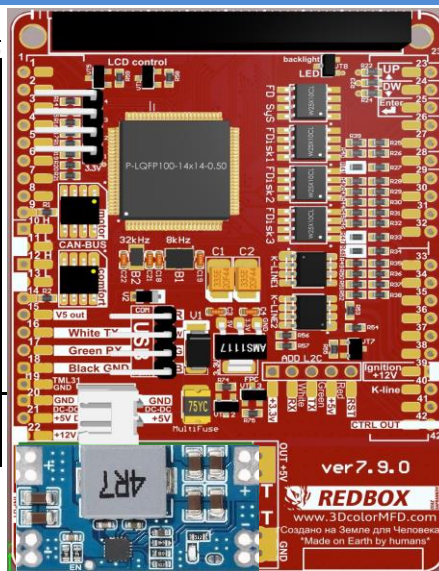


## 7.9.0 AUDI TT 8N

### GENERAL SCHEME

1	Terminal 15	39	17	Main beam
2	Brake pad wear	29	18	Left turn signal
3	Speedometer output 1		19	Not used
4	5 V supply		20	Terminal 58s
5	Fuel gauge sender	7	21	Driver's door contact
6	Tank warning OBD 2	4	22	Low coolant
7	Terminal 31 (sensor earth)	+12V	23	Terminal 30
8	Coolant temperature	GND	24	Terminal 31 (load earth)
9	Terminal 31 (load earth)		25	Consumption signal
10	Oil pressure (high)		26	Right parking light
11	Engine speed signal		27	Left parking light
12	Air conditioner shutoff		28	Speedometer input
13	Electronic throttle/glow period w		28	Low brake fluid
14	Adaptive suspension	32	30	S-contact
15	Terminal 58d		31	Speedometer output 2
16	Trailer turn signal		32	ESP/TCS

DASHBoard			
	Grey	31	1*
Reversing light swith			3
<b>minus (-) LED High beam</b>			
Low coolant	Blue	22	4
Washer fluid level	Grey	15	5
Stop Brake lamp warn.	Grey	14	6
Driver's door	Blue	21	7
			8
			9
CAN H (motor)	Green	18	10
CAN L (motor)	Green	19	11
CAN bus High (display)	Grey	5	12
CAN bus Low (display)	Grey	6	13
			14
5V out			15
White	USB		16
Green	USB		17
Black	USB		18
GND	Blue	24	19
DC-DC OUT- GND			20*
DC-DC OUT+ +5B			21*
+12V	Blue	23	22



MFD DASHBoard			
	Grey	Up	
23	17	Grey	Up
24	18	Grey	Down
25	19	Grey	Reset
26	27	Green	Belts
27	16	Grey	Lamp Fault
28	29	Blue	Brake Liquid
29	2	Blue	Brake Pads
30	32	Grey	BOOST
31	25	Green	HOOD F120
32	30	Blue	TurboTimer
33*	32	Green	Headlight range control
33*	28	Grey	Fuel, OIL presser / EGT / LPG
34	6	Green	Laguage door switch
35	15	Green	Oil SensorG266
36	13	Green	Hand brake
37	12	Green	Baterie (61)
38*	21	Green	ABS
38*	29	Grey	Oil Pressure Sensor / EGT
39	1	Blue	Ignition
40	28	Green	K-line
41			
42*	30	Grey	TurboTimer

1	Menu control switch (menu)	23	17	On-board computer, left	
2	Menu control switch (out A)	24	18	On-board computer, right	
3	Menu control switch (out B)	25	19	On-board computer reset	
4	Menu control switch (enter)		20	Auxiliary heater radio remote con	
5	CAN bus High (display)	12	21	Summer /winter switching	
6	CAN bus Low (display)	13	22	Auxiliary heater on	
7	Not used		23	Control group 1 Navigation	
8	Not used		24	Control group 2 Navigation	
9	Not used		25	Control group Telematics	
10	Not used		26	Not used	
11	Enable		27	Not used	
12	Clock	33*	28	Fuel, OIL presser / EGT / LPG	
13	Data	38*	29	Fuel, OIL presser / EGT / LPG	
14	Brake light	6	42*	30	TurboTimer
15	Washer fluid level	5	1*	31	F4 - REVERSING LIGHT SWITCH
16	Tail light/dipped beam (bulb c	27	30	32	BOOST

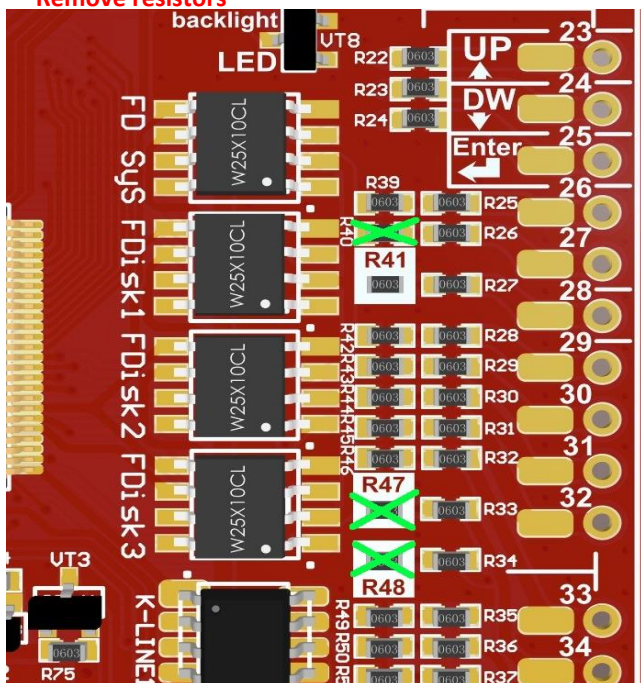
1	Not used		17	Transponder 2	
2	Transponder	10	18	CAN bus High (motor)	
3	External photosensor	11	19	CAN bus Low (motor)	
4	Not used		20	Not used	
5	W-wire	38*	21	ABS	
6	Central locking signal	34	22	CAN bus High (convenience)	
7	Right turn signal		23	CAN bus Low (convenience)	
8	External buzzer		24	Not used	
9	External gong	31	25	Bonnet / Hood	
10	Airbag		26	Filler neck compartment lid	
11	Standing time output	26	27	Belt buckle	
12	Baterie Terminal 61	37	40	28	K-wire
13	Parking brake	36		29	Ambient temperature input
14	CHECK			30	Terminal 58de
15	Oil level/oil temperature	35		31	Selector lever position display
16	Oil filter pressure	33*	32	Headlight range control	

1	Not used		17	Transponder 2
2	Transponder 1		18	Not used
3	Not used		19	Not used
4	Not used		20	Not used
5	W-wire		21	Not used
6	Tailgate/boot lid (midline version only)		22	Not used
7	Brake pad (not used at		23	Not used
8	input for external buzzer actuation (not use		24	Not used
9	input for external gong actuation (not used		25	Not used
10	Tank warning output signal for engine con		26	Not used
11	Standing time output		27	Not used
12	Air conditioner shutoff		28	Not used
13	Parking brake		29	Terminal 58d (external dimmer potentiometer)
14	Electronic throttle		30	Speedometer output 2
15	Side light		31	Not used
16	Not used		32	Not used

1999 -> 2000		
Green	From pin №	Ha/ To pin №
7	коричнево-зеленый / brown green	-> 2 blue connector
10	пустой / empty	-> 6 blue connector
12	голубой-синий / blue darck blue	-> 12 blue connector
29	->	-> 30 green connector
21	->	-> 15 green connector
15		remove

Blue		
From pin №		Green Ha/ To pin №
2	черно-зеленый / black green	-> 7
6	Yellow/white	-> 10
12	голубой/ blue	-> 12
19	orange red	-> 21
25	Green blue	-> 28

### Remove resistors



- 1\*** If you have add a wire of engaging reverse gear to cluster.  
Если вы добавили в кластер провод включения задней передачи.
- 20\*** If you have installed the DC-DC converter separately from the 3dMFD motherboard  
Если вы установили DC-DC преобразователь отдельно от материнской платы
- 21\*** If you have installed the DC-DC converter separately from the 3dMFD motherboard  
Если вы установили DC-DC преобразователь отдельно от материнской платы
- 33\*** If you have an optional LPG tank level / Fuel presser sensor/ Head range control warning  
Если у вас есть дополнительное датчики уровня в баке LPG / датчик давления топлива / контроль диапазона головки / EGT
- 38\*** If you have an optional Oil pressure sensor / EGR sensor  
Если у вас есть опциональный датчик давления масла / датчик EGT
- 42\*** This is the control output of the turbo timer relay.  
Это управляющий выход реле турботаймера.